



ERM-FSU-24 & ERM-FLU-277 Relay Controller

Overview

The ERM-FSU-24 and ERM-FLU-277 options allow the CERV to control on/off functionality of a remote device, much like an extension of the CERV’s built in wired Auxiliary Output(s).

The ERM Relay controllers come in two versions – a low voltage signal controller (ERM-FSU-24), and high voltage load controller (ERM-FLU-277). Some examples of typical applications can be seen below.

ERM-FSU-24 Low Voltage Control (24VAC/VDC)

- Thermostat control
- Interface with smart home systems
- Fan interlock for furnace fan
- Zone dampers

ERM-FLU-277 Load Control (120-277VAC)

- Geo-Boost ground loop pump
- Line voltage control for an external system

Recommended Installation: to minimize signal interference, these should be installed in nonmetallic junction boxes.

Specifications

	ERM-FSU-24	ERM-FLU-277
Power Supply	24 VAC/DC	120-277 VAC
Power Consumption	0.9W Full Load	2.5W Full Load
Outputs	N.O. Relay 3A @ 30VDC isolated output	N.O. Relay 15A@ 120 - 277 VAC

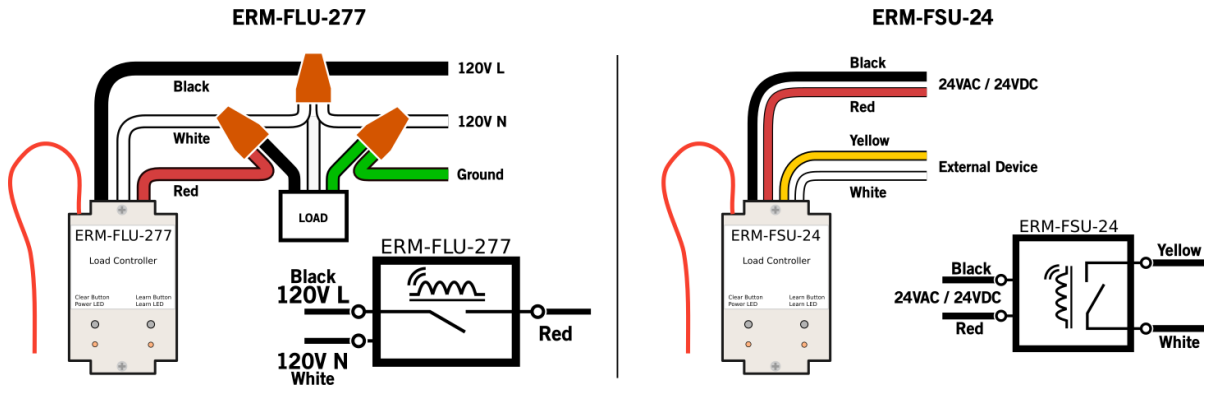
Radio Frequency	902MHz
Transmission Range	24m (80ft) indoor typical, 100m (330ft) line of sight

Weight	60g (2.2oz)
Dimensions	56 x 38 x 26 mm (2.2 x 1.5 x 1.0 in)
Life Cycle	50,000 actuations

Agency Listing and Compliance
FCC Part 15.231 - Remote Control Transmitter IC RSS-210
ERM-FLU-277 Safety: ETL Listed, Component Conforms to UL Standard 508, Certified to CAN/CSA Std. C22.2 No.14

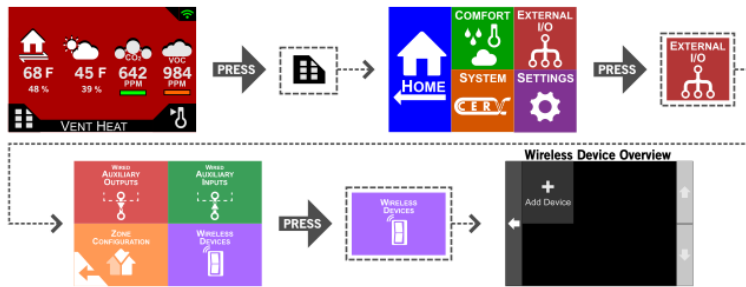


Electrical Wiring

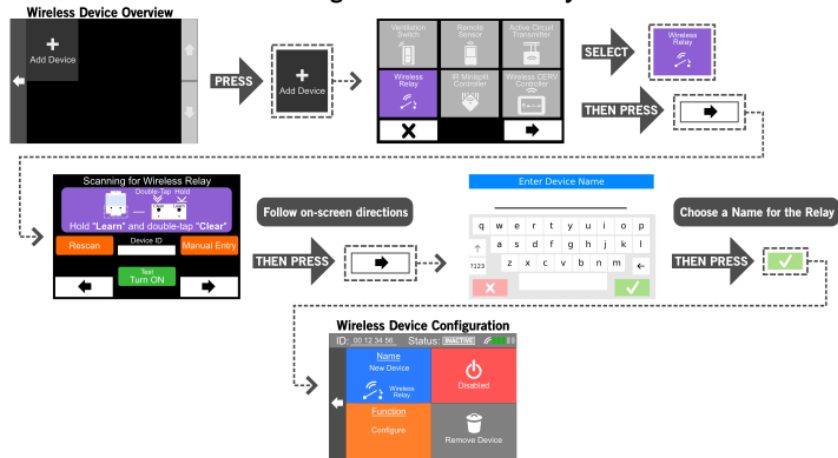


CERV2 Setup

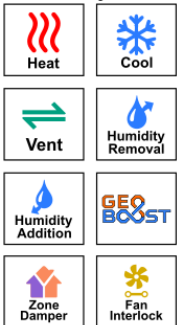
Wireless Device Setup



Adding A New Wireless Relay



Wireless Relay Functions



Example: Configure Wireless Relay as GEO-Boost

