



## Wireless Occupancy Sensor

### Overview

The Wireless Occupancy Sensor allows the CERV to be intelligently controlled by the occupancy status of a room.

The occupancy sensor is easily customizable and flexible for many potential scenarios. The sensor may be used to trigger ventilation, heating, cooling, or halt operation when motion is detected within a room.

The occupancy sensor mounts easily using screws or integrated magnets and is solar powered (no batteries or maintenance required)!

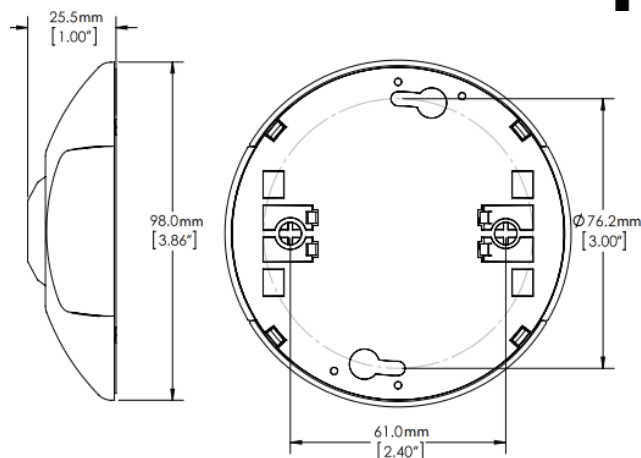
### Specifications

Power Supply	Integrated Solar Cell
Backup Battery Size	CR1632
Operational Light Level	65 lux

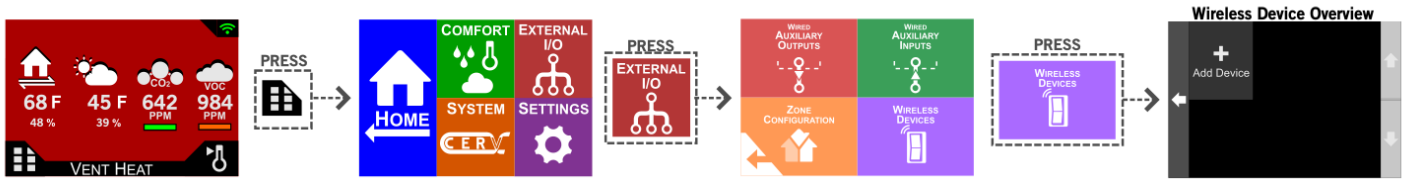
Radio Frequency	902MHz
Transmission Range	80 - 330ft (24-100m)

Weight	68g (2.4oz)
Dimensions	98 x 98 x 25.5 mm (3.86 x 3.86 x 1.0")

Agency Listing and Compliance	
FCC Part 15.231 - Remote Control Transmitter	
IC RSS-210	

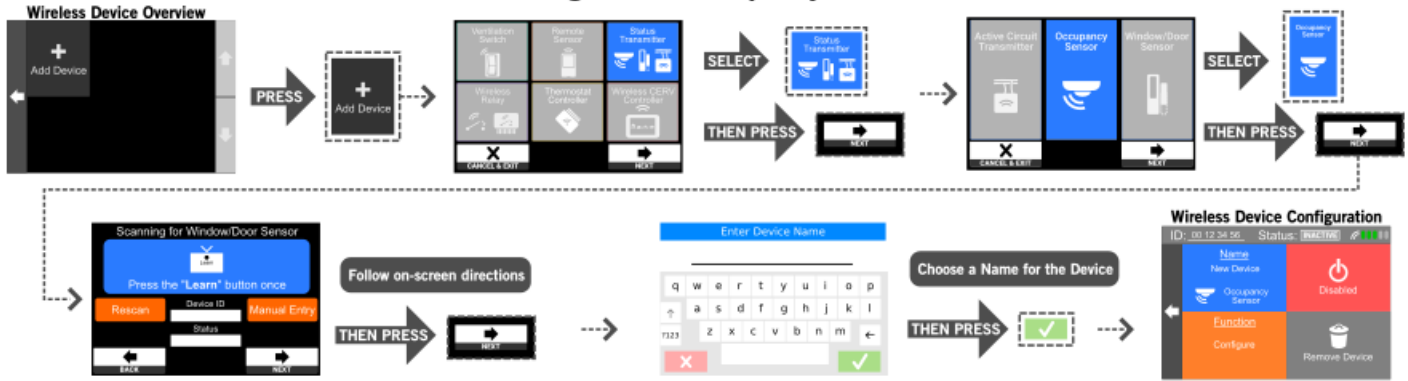


# Wireless Device Setup



Note: The "Learn" button for the occupancy sensor is accessed by removing the top plastic cover as shown in the installation guide.

## Adding A New Occupancy Sensor



### Available Active Circuit Transmitter Functions



## Example: Ventilate when Room is Occupied

